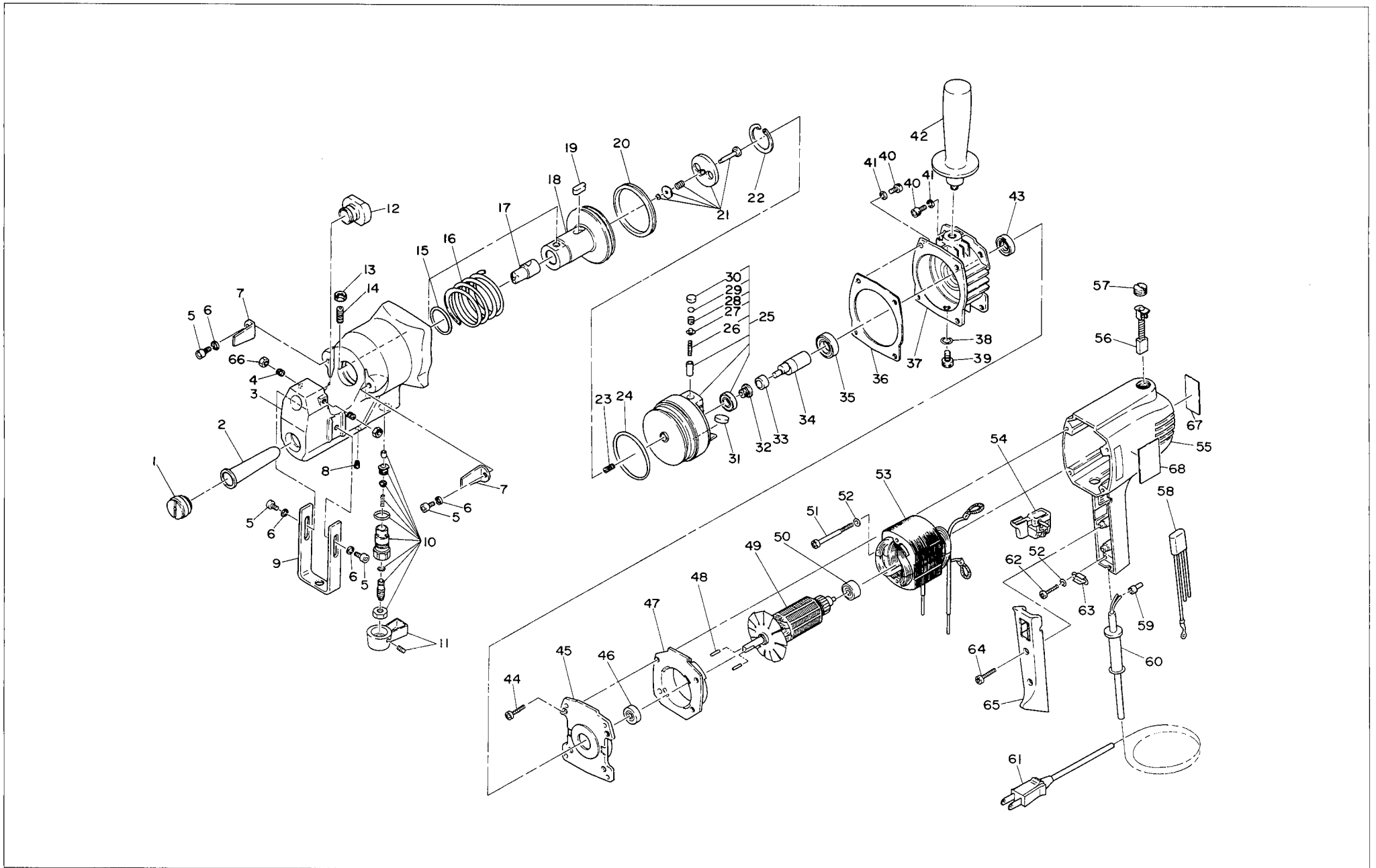


06 HANDY SELFER E25-0615 ASSEMBLY AND PARTS LIST



The parts numbers with () are included in the Ass'y parts written above them. ◎ Consumable items ※ Locally available items

No.	Part No.	Part Name	Q'ty	Price
1	TQ01015	Oil Bag Screw	1	
2	TQ01014	Oil Bag	1	
3	TQ01009	Frame	1	
※4	TQ02613	Hex. Socket Set Screw with Flat Point 5X16	2	
※5	TP00021	Hex. Socket head Cap Screw 5X10	4	
※6	TP03508	Spring Washer M5	4	
7	TQ01049	Stripper	2	
※8	TP15640	Hex. Socket Set Screw NPT 1/16	1	
9	TQ01048	Stopper	1	
10	TB00967	Return Valve Ass'y	1 set	
11	TB00969	Return Lever Ass'y	1 set	
◎12	TK00429	E Die 15B	1	
※13	TQ01050	Small Hex. Nut Type 3M8	1	
※14	TP12382	Hex. Socket Set Screw with Cup Point 8X12	1	
◎※15	CP07415	O-Ring P-30	1	
16	TQ01036	Spring 5.5X50X57.5	1	
◎17	TK00428	E Punch 15	1	
18	TB01089	Ram Sub Ass'y	1 set	
※19	(TQ01022)	Sunken Key 6X6X16 round ends	1	
◎※20	TQ01021	Y Type Packing OSI 56X66X6	1	
◎21	TB01090	Limit Valve Ass'y	1 set	
※22	TQ01068	Circlip JO-34	1	
23	TQ01033	Spring 0.5X5.3X13-14	1	
◎※24	TQ01032	O-Ring P-56	1	
◎25	TB01092	Pump Body Ass'y	1 set	
26	(TQ01040)	Spring 0.6X3.2X18.4	1	
◎27	(TQ01041)	Check Valve	1	
28	(TQ01042)	Spring 0.8X4.8X6.5	1	
29	(TQ01364)	Spring Seat	1	
◎30	(TQ01365)	Check Valve Cap	1	
31	TQ01045	Magnet 18X8	1	
32	TQ01031	Distance Collar	1	
※33	TQ01038	Needle Bearing RNAF 101710	1	
34	TQ01037	Cam Spindle	1	
※35	TQ01035	Ball Bearing 6902ZZ	1	
36	TQ01046	Gasket	1	
37	TQ01012	Oil Case	1	
※38	TP14604	O-Ring S-10	1	
※39	TP03247	Hex. Socket Head Cap Screw 10X15	1	
※40	TP05474	Hex. Socket Head Cap Screw 6X14	8	

No.	Part No.	Part Name	Q'ty	Price
※41	TP00629	Spring Washer M6	8	
42	TQ01051	Sub-Handle	1	
◎※43	TQ01034	Oil Seal S15257	1	
44	TQ01058	⊕ YPF Self-Tapping Screw 5X20	4	
45	TQ01013	Motor Flange	1	
※46	TP00468	Ball Bearing 608ZZ	1	
47	TQ00994	Fan Guide	1	
※48	TP12618	Needle Roller 3X11.8	2	
49	TB00991	Armature Ass'y	1 set	
※50	TP15408	Ball Bearing 626ZZ	1	
51	TQ00995	⊕ High-Low Screw 4X51	2	
※52	TP04234	Spring Washer M4	4	
53	TB00992	Stator Ass'y	1 set	
54	TQ00996	Switch	1	
55	TB02251	Motor Case Ass'y	1 set	
67	(TQ02698)	Name Plate	1	
68	(TQ02487)	Warning Label	1	
◎56	TB00993	Carbon Brush Ass'y	1 set	
57	TP16323	Brush Cap (NITQ 06567)	2	
※59	TP13769	Insulated Closed End Connector 2-SD JST	1	
60	TP16265	Stopper	1	
61	TQ01431	Cabtyre Code	1	
※62	TP16208	⊕ Cross Recessed Pan Head Tapping Screw 4X16	2	
63	TQ01001	Cord Clamp	1	
※64	TQ01002	⊕ Cross Recessed Pan Head Tapping Screw 4X20	2	
65	TQ01003	Handle Cover	1	
※66	LP11858	Hex. Nut Type 1 M5	2	